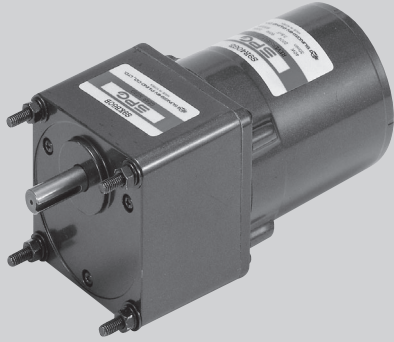


Powermec



40W

REVERSIBLE MOTOR □ 90mm LEAD WIRE TYPE

SIZE mm sq.	Type	Poles	Output (W)	Voltage (V)	Frequency (Hz)	Duty	Rated Load				Starting Torque		Capacitor (uF)
							Current (A)	Speed (rpm)	Torque (kg-cm) (N-m)		(kg-cm)	(N-m)	
90	S9R40GA() S9R40GA()(TP) S9R40GA()CE	4	40	1 ∅ 110	60	30min.	1.00	1600	2.50	0.250	3.50	0.350	15.0
	S9R40GB() S9R40GB()(TP) S9R40GB()CE	4	40	1 ∅ 220	60	30min.	0.46	1600	2.50	0.250	3.50	0.350	3.5
	S9R40GC() S9R40GC()(TP) S9R40GC()CE	4	40	1 ∅ 100	50	30min.	0.84	1300	3.00	0.300	2.80	0.280	15.0
	60				1.00		1550	2.60	0.260				
	S9R40GD() S9R40GD()(TP) S9R40GD()CE	4	40	1 ∅ 200	50	30min.	0.39	1300	3.10	0.310	2.80	0.280	3.5
	60				0.47		1550	2.60	0.260				
	S9R40GE() S9R40GE()CE	4	40	1 ∅ 100	50	30min.	0.86	1300	3.10	0.310	2.90	0.290	15.0
	60				1.00		1550	2.60	0.260				
	1 ∅ 115				1.00		1550	2.70	0.270	3.00			0.300
	S9R40GX() S9R40GX()CE	4	40	1 ∅ 220	50	30min.	0.40	1250	3.20	0.320	3.00	0.300	3.0
	1 ∅ 240						0.42		3.40	0.340			

- ❖ S9R40GE is UL approved (UL FILE No. E172720) thermally protected type.
- ❖ Appropriate capacitors shall be used according to the voltage for S9R40GE type since the size of the capacitor differs by different voltages. Malfunction may occur when not used properly. Capacitor for 115V will be delivered otherwise the required voltage is informed.
- ❖ CE marked at the end of model name indicates that it is thermally protected type which has received CE with built-in TP.
- ❖ S9R40GE()CE is available only for 115V specification.
- ❖ TP marked at the end of the model name indicates that it is standard motor with Thermal Protector mounted.
- ❖ S9R40GE, S9R40GX is thermally protected type with TP mounted.
- ❖ Data is measured with friction brake mounted.
- ❖ () is for marking 'L' type or 'H'. 'L' should be used with gearhead 'L' and 'H' should be used with gearhead 'H'.

50Hz

GEAR RATIO	3 3.6 5 6 7.5 9 10 12.5 15 18 20 25 30 36 40 50 60 75 90 100 120 150 180 200																										
	MODEL	rpm	500	416	300	250	200	166	150	120	100	83	75	60	50	41	37	30	25	20	16	15	12	10	8	7.5	
S9KB□B()	kg-cm	8.3	9.9	13.8	16.5	20.7	24.8	27.5	34.4	41.3	49.6	49.6	62.1	74.5	89.4	99.3	100	100	100	100	100	100	100	100	100	100	100
	N-m	0.813	0.970	1.352	1.617	2.029	2.430	2.695	3.371	4.047	4.861	4.861	6.086	7.301	8.761	9.731	9.800	9.800	9.800	9.800	9.800	9.800	9.800	9.800	9.800	9.800	9.800

60Hz

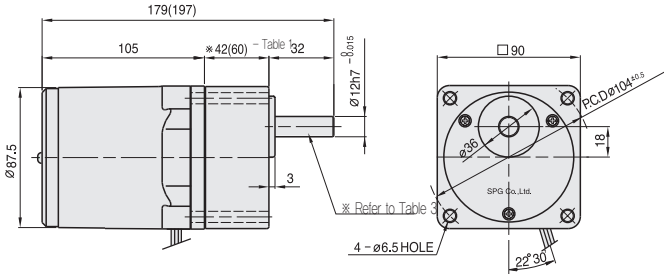
GEAR RATIO	3 3.6 5 6 7.5 9 10 12.5 15 18 20 25 30 36 40 50 60 75 90 100 120 150 180 200																										
	MODEL	rpm	600	500	360	300	240	200	180	144	120	100	90	72	60	50	45	36	30	24	20	18	15	12	10	9	
S9KB□B()	kg-cm	6.8	8.2	11.3	13.6	17.0	20.4	22.7	28.4	34.0	40.8	40.9	51.1	61.3	73.6	81.8	100	100	100	100	100	100	100	100	100	100	100
	N-m	0.666	0.804	1.107	1.333	1.666	1.999	2.225	2.783	3.332	3.998	4.008	5.008	6.007	7.213	8.016	9.800	9.800	9.800	9.800	9.800	9.800	9.800	9.800	9.800	9.800	9.800

- ❖ The code in □ of gearhead model is for gear ratio.
- ❖ It is the permissible torque of the assembled motor and gearhead.
- ❖ The permissible torque of the motor and inter-decimal gearhead is 100 kg-cm.
- ❖ ■ color indicates that the output shaft of the geared motor rotates in the same direction as the output shaft of the motor. Others indicate rotation in the opposite direction.
- ❖ Rpm is based on synchronous speed (50Hz: 1500rpm, 60Hz: 1800rpm) divided by gear ratio. The actual rotation speed can be 2~20% less than displayed value depending on the load.
- ❖ () is for marking 'L' type or 'H'. 'L' should be used with motor 'L' and 'H' should be used with motor 'H'.

DIMENSIONS

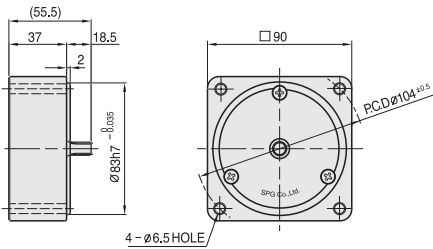
+ GEARED MOTOR

- * MOTOR MODEL : S9R40□□
- * HEAD MODEL : S9□B3□□~S9□B200□□



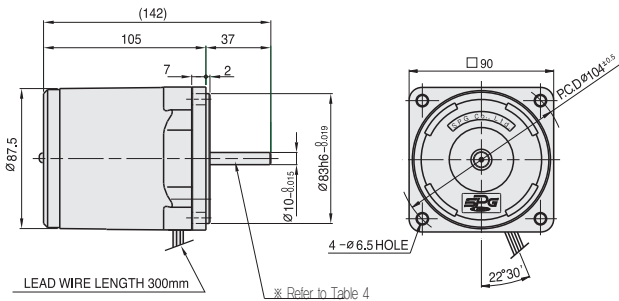
+ INTER-DECIMAL GEAR HEAD

- * MODEL : S9GX10B(H,L)



+ MOTOR

- * MOTOR MODEL : S9R40□□□



+ SPEC for output shaft of gearhead - (Table3)

MODEL	TYPES OF OUTPUT SHAFT
STRAIGHT TYPE	
S9SB3□□ ~S9SB200□□	
D-CUT TYPE	
S9DB3□□ ~S9DB200□□	
KEY TYPE	
S9KB3□□ ~S9KB200□□	

+ *26(35) - (Table1)

GEAR RATIO	SIZE(mm)
S9□B3□□ ~ S9□B18□□	42
S9□B20□□ ~ S9□B200□□	60

+ WEIGHT - (Table2)

PART	WEIGHT(kg)	
MOTOR	2.34	
DECIMAL GEAR HEAD	0.59	
GEAR HEAD	S9□B3□□ ~S9□B18□□	0.73
	S9□B20□□ ~S9□B40□□	1.03
	S9□B50□□ ~S9□B200□□	1.13

+ KEY SPEC

GEAR HEAD	MOTOR

+ SPEC for output shaft of motor - (Table4)

MODEL	TYPES OF OUTPUT SHAFT
GEAR TYPE	
S9R40G□□	
STRAIGHT TYPE	
S9R40S□	
D-CUT TYPE	
S9R40D□	
KEY TYPE	
S9R40K□	

SCHEMATIC DIAGRAMS

The direction of motor rotation is as viewed from the front shaft end of the motor.

S9R40GA S9R40GB S9R40GC S9R40GD	S9R40GA(TP) S9R40GB(TP) S9R40GC(TP) S9R40GD(TP) S9R40GACE S9R40GBCE S9R40GE S9R40GCCE S9R40GDCE S9R40GECE	S9R40GX S9R40GXCE
CW,CCW	CW,CCW	CW,CCW