

COMMUNICATION CONVERTER



TRP-C68

8-Channel Analog Input to Digital Output Isolated Module. Support ASCII and Modbus protocol.

Introduction

The TRP-C68 provides 8 channels differential analog input with optical isolation between digital and analog that protect your module and devices from the damage when irregular high power voltage input. The TRP-C68 can input differential analog voltage from +/-1V, +/-5V, +/-10V, or current +/-20mA, +/-150mA, +/-500mA. The sample rate can be set to normal mode or fast mode, The normal mode is 10 sample rate/sec and fast mode is 60 sample rate/sec. All channel features screw terminals for the convenient connection of field signals, An outside dip-switch enables user configure TRP-C68 without a complicated setting and connection. Build-in a full set of command, watch-dog, and auto reset function the TRP-C68 can be bi-directionally remote controlled by RS485 ASCII and Modbus RTU protocol.

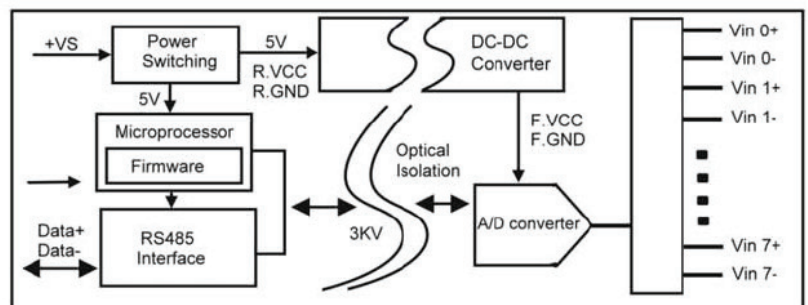
Features

- ◆ Support ASCII and Modbus RTU protocol.
- ◆ Programmable in virtually high-level language.
- ◆ 8-CH isolated analog differential input can input voltage or current.
- ◆ Baud Rate can be set from 1200bps to 115.2K bps.
- ◆ High surge protection on RS485 interface.
- ◆ LED display to indicate power and communication status.
- ◆ Dual Watchdog for hardware reset circuit and host operating status.
- ◆ External DIP switch for hardware and module's configuration.
- ◆ Support screw terminal and standard external DC power adaptor input.
- ◆ Power input from +10V to +30V DC.
- ◆ All channel features screw terminals for the convenient connection of field signals.

Specifications

- ◆ Resolution : 16/24 bit.
- ◆ Sample rate: Normal mode:10 sample rate/sec(24 bit).
Fast Mode: 60 sample rate/sec (16 bit).
- ◆ Bandwidth: Normal Mode: 15.72Hz.
Fast Mode:78.72Hz.
- ◆ Zero drift: 0.03uV/C.
- ◆ Span drift:25 ppm/C.
- ◆ Accuracy: Normal 0.1 or better.
Fast 0.5 or better.
- ◆ Analog Input range: Voltage: +/-1V, +/-5V, +/-10V.
- ◆ Current: +/-20mA, +/-150mA, +/-500mA.
- ◆ CMRR:92 db min/50/60Hz.
- ◆ Over voltage protection: +/-35V.
- ◆ Optical isolation: 3750 Vrms.
- ◆ RS422/485 connector : Industrial plug-in screw terminal.
- ◆ Communication Interface : RS485, 2 wires.
- ◆ LED indicator: Power and communication status.
- ◆ Distance : RS485 up to 4000ft (1250M) .
- ◆ Speed : 1200, 2400, 4800, 9600, 19.2K, 38.4K, 57.6K, 115.2K(bps).
- ◆ Format : Asynchronous data with any combination of bits, parity, stop.
- ◆ Power Consumption :1.2 Watt.
- ◆ Power requirement: DC input from +10 to 30 V.
- ◆ Operating Temperature : -20 to 65°C .
- ◆ Storage temperature: -20 to 65°C .
- ◆ Humidity : 10-90% Non-condensing.
- ◆ Dimension: 151mm X 75mm X 26mm.
- ◆ Weight: 398g

Block Diagram



Application Note

